



Summarization

Controller for RGB LED Strip has 24 buttons infrared full color controller, press the button which suit for the mode, there are 20 modes for you to choose, easy wiring. Has memory function, do not need frequent Settings.

Performance parameters:

- Speed Choice: 8 level
- Overall Brightness Adjusting: 8 level
- Input Voltage: DC12V
- Output Load Current: 2A x 3 road
- The Total Power Output: 1 ~ 72W (12V)
- Remote Distance MAX: 15 meters
- Mode Choice: 20 types
- Work Temperature: -35°C – 55°C

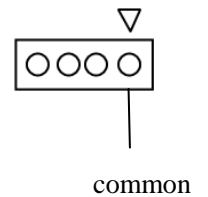
Function and characteristics

1. IR infrared remote control, reliable remote distance for 15 meters.
2. ON/OFF switch controller function.
3. 20 types a jump, the gradual change model, the highest grayscale 256 levels.
4. Can choose each change pattern change speed and adjust brightness
5. functions of Change pause, Can maintain the grayscale and color of current LED lamps.
6. With our company's power amplifier, the output power can be amplifier unlimited.

Instructions:

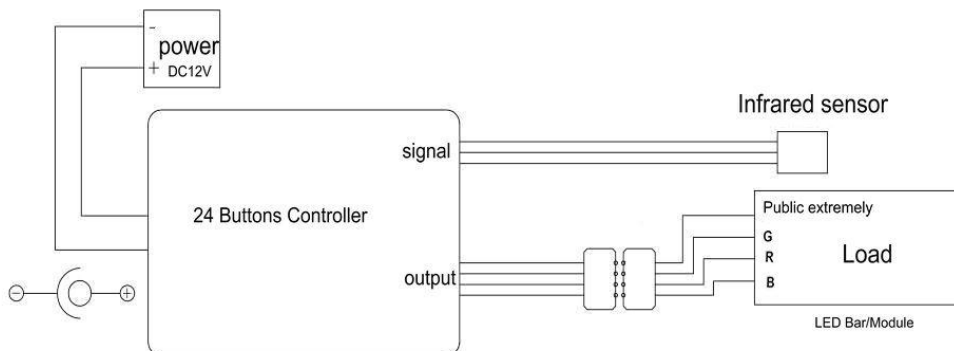
Way of Wiring:

According to the "picture one", put the led strip plug into the output receptacle of the controller. Ensure lights (module) public end (V + V -) connect with the public end of the controller.



Put DC12v power source into DC receptacle of the controller, open the power switch.

Using remote control can let controller for work according to need.



picture two

Remark: if the power of controller is not enough, can increase our production of power amplifier amplification power.

Operating methods:

1. After connected, you can use remote controller to operate.
2. ON "button can open controller when it was in shutdown condition, after open controller will run the last mode which in shutdown condition automatically
3. "OFF" button can be on any mode to turn off the controller to make it standby.
4. As shown in figure 3 shows 1 ~ 20 button corresponding to mode 1 ~ 20.(A detailed list of functions)
5. "⚙️" In 8,12,16,20 mode as a key can reduce speed according to specific needs changes will slow down to what you need. Other mode as a key can reduce brightness according to specific needs to reduce brightness to what you need.
6. "⚙️" In 8,12,16,20 model under the speed with a key to change according to the specific speed to what you need. Other mode as a key can reduce brightness according to specific needs will increase brightness to what you need



figure 3

Change the pattern choice list

Brightness + (Speed up)	Brightness –(Speed down)	Off	On
Static red	Static green	Static blue	Static white
Static orange	Static pea green	Static dark blue	7 color jumpy change
Static dark yellow	Static cyan	Static brown	All fade out&fade in
Static yellow	Static light blue	Static pink	7 color fade change
Static straw yellow	Static sky blue	Static purple	3 base color jumpy

Warning

1. Supply voltage of this product is DC12V~24V; never connect to AC220V.
2. Never connect two wires directly in case of short circuit.
3. Lead wire should be connected correctly according to colors that connecting diagram offers.
4. Warranty of this product is Two years, in this period we guarantee replacement or repairing with no charge, but exclude the artificial situation of damaged or overload working.